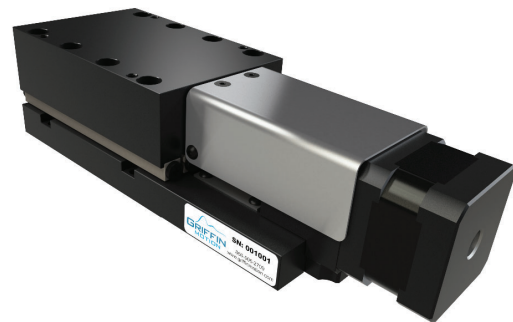


## Precision Linear Motion Platform

### FEATURES

- Compact Low-Profile Design
- 50mm Travel
- Zero backlash, precision ground ball screws
- Optical limit switches with home
- Stepper Motor Drive
- Crossed Roller Bearings



The MCS-BS Series stages are designed for a variety of applications. This compact low profile ball screw stage is built for high duty cycles and long life for laboratory, factory automation and semiconductor processing equipment. This stage has exceptional levels of flatness and straightness. The crossed roller bearings and a precision ground ball screw offer extremely smooth operation and velocity control. The MCS-BS Series stages can be stacked to create X, Y and Z motion. The stage can operate in any orientation and has an optional brake for added safety and the optional tooling plate is easily customized for different mounting options.

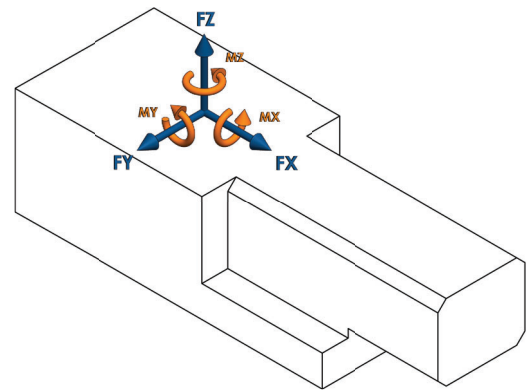


MCS-050-HS-C-N-S-0-00

## Motion Specifications

## Product Specifications

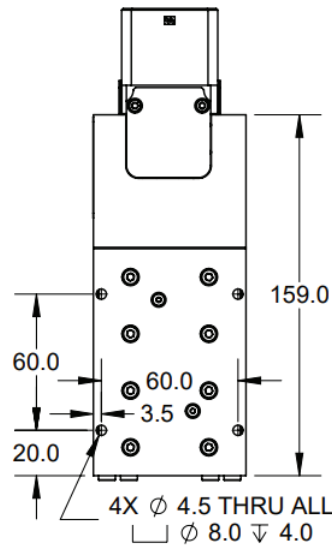
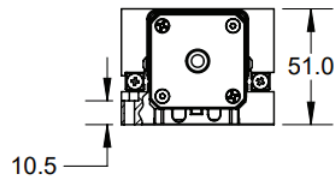
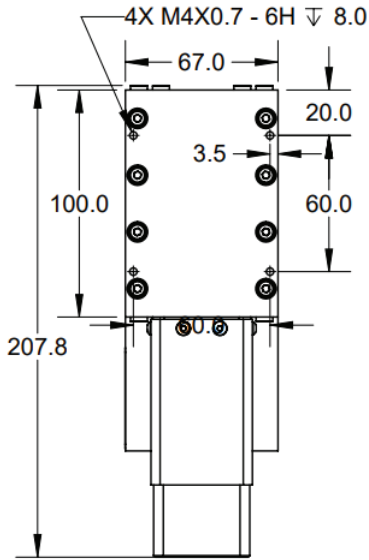
Force X (N)	75
Force Y (N)	75
Force Z (N)	75
Flatness ( $\mu\text{m}$ )	8
Height (mm)	51
Length (mm)	208
Limit Switches	Yes
Linear Accuracy ( $\mu\text{m}$ )	20
Linear Repeatability ( $\mu\text{m}$ )	5
Linear Velocity (mm/s)	25
Moment X (N·m)	2
Moment Y (N·m)	2
Moment Z (N·m)	2
Moving Mass X (kg)	0.64
Pitch +/- (arc-sec)	15
Screw Lead (mm)	2
Stage Mass (kg)	1.7
Straightness ( $\mu\text{m}$ )	8
Width (mm)	67
Yaw +/- (arc-sec)	15



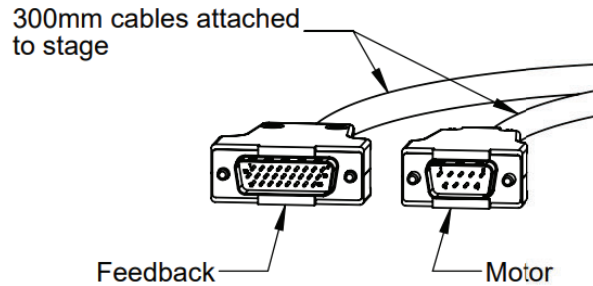
**LOAD DIRECTIONS**

## Part Number Description

MCS	MCS Series
050	50mm Travel
HS	Hybrid Stepper Leadscrew
C	Hybrid Stepper Leadscrew
N	Limit and Home Switch Only
S	Standard Precision
0	No Additional Options
00	Standard Product (Call for custom)



Feedback Connector (DSUB26HD MALE)	
PIN	NAME
1	+5V
2	*
3	*
4	*
5	LIM+
6	*
7	*
8	*
9	*
10	*
11	*
12	*
13	*
14	LIM-
15	*
16	*
17	*
18	*
19	GND
20	*
21	*
22	*
23	HOME
24	*
25	*
26	*
* Reserved	



Motor Connector (DSUB9 MALE)	
PIN	NAME
1	*
2	*
3	*
4	*
5	*
6	PHASE A+
7	PHASE A-
8	PHASE B+
9	PHASE B-
* Reserved	



MCS-050-HS-C-N-S-0-00

### Electrical Specifications

Motor Specifications	
Motor Type	Bipolar Stepper
Winding Voltage (VDC)	2.33
Current/phase (A)	1.5
Resistance/phase ( $\Omega$ )	1.56
Induction/phase(mH)	1.9
Power Consumption (W)	7.0

Feedback Specifications	
Supply Voltage (V)	5.0 $\pm$ 10%
Supply Current (mA)	250
Encoder Feedback	No
Limit Switches	Yes
Limit Switch Output Type	CMOS
Limit Switch Output current (mA)	$\pm$ 20.0
Home Switch	Yes
Home Switch Output Type	CMOS
Home Switch Output current (mA)	$\pm$ 20.0

A home switch is provided near center mechanical travel and a limit switch at each end of travel. The limit switches will be pulled low throughout the travel range of the stage. The output will swing high at the end of travel and remain high until the mechanical limit is reached.