

## Precision Linear Motion Platform

### FEATURES

- High speed
- 150mm Travel
- Precision ground ball screw drive
- Optical limit switches with home
- High resolution rotary encoder
- Recirculating ball linear ways
- Side seals



The LM3 Series stages are designed for a variety of applications. This compact low profile linear stage is built for high duty cycles and long life and attains high velocities for factory automation and semiconductor processing equipment. This stage has exceptional levels of accuracy, repeatability, flatness and straightness. Recirculating ball linear ways and the precision ground ball screw offer extremely smooth operation and velocity control. Side seals and a hard cover make it an excellent choice for dirty environments. The LM3 Series stages can be stacked to create XY motion.

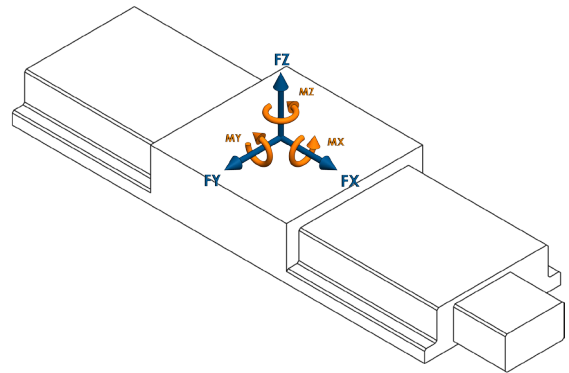


LM3-150-BS-A-H-S-F-00

**Motion Specifications**

**Product Specifications**

Encoder Output	A quad B, index
Force X (N)	200
Force Y (N)	200
Force Z (N)	440
Flatness (µm)	6
Height (mm)	62
Length (mm)	441
Limit Switches	Yes
Linear Accuracy (µm)	15
Linear Encoder Resolution (µm)	0.125
Linear Repeatability (µm)	2
Linear Velocity (mm/s)	150
Moment X (N-m)	50
Moment Y (N-m)	50
Moment Z (N-m)	25
Moving Mass X (kg)	1.79
Pitch +/- (arc-sec)	8
Screw Lead (mm)	2
Stage Mass (kg)	6.58
Straightness (µm)	6
Width (mm)	165
Yaw +/- (arc-sec)	8



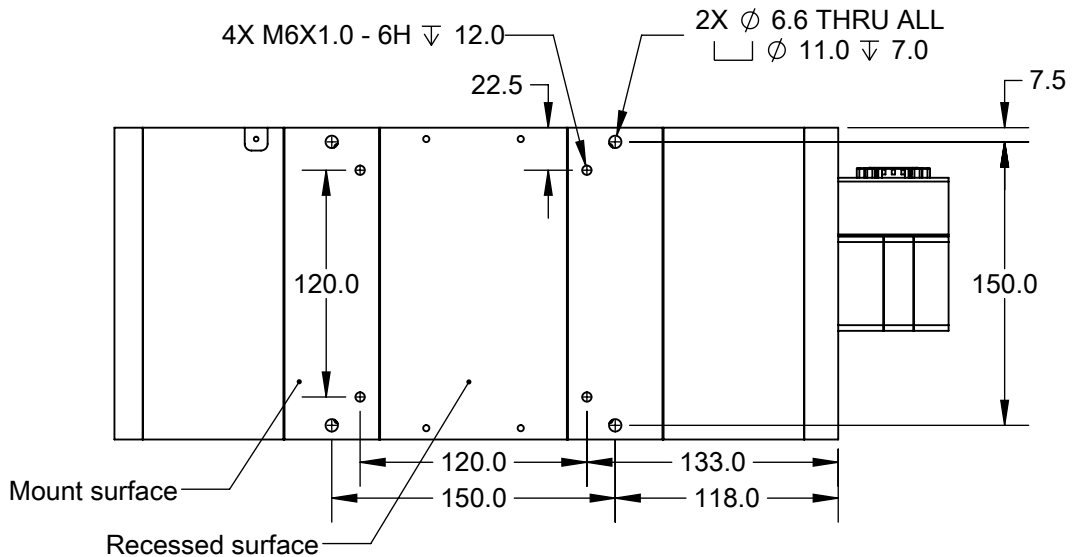
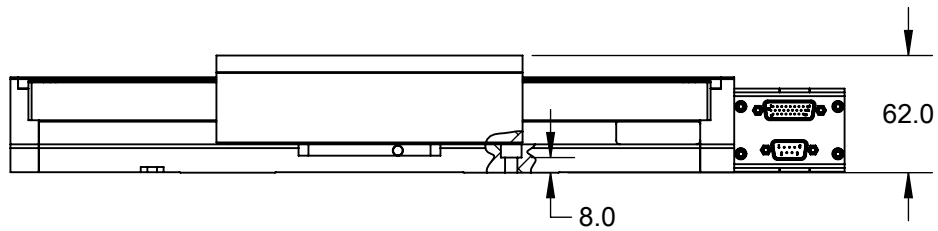
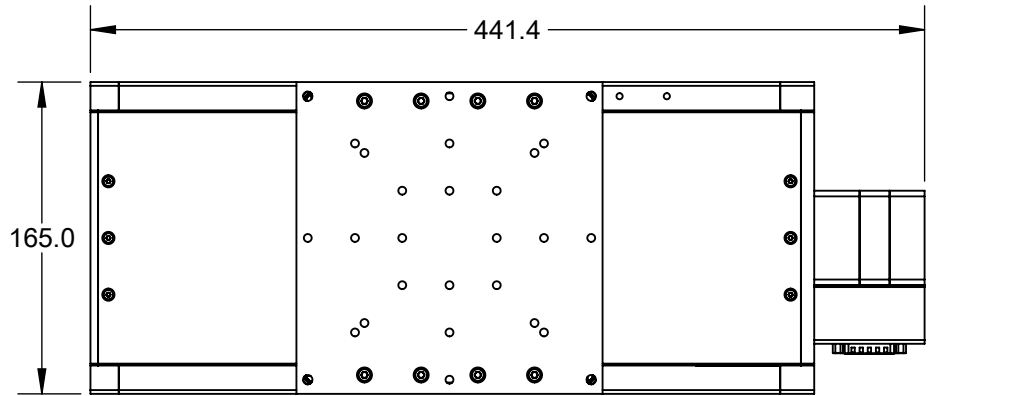
**LOAD DIRECTIONS**

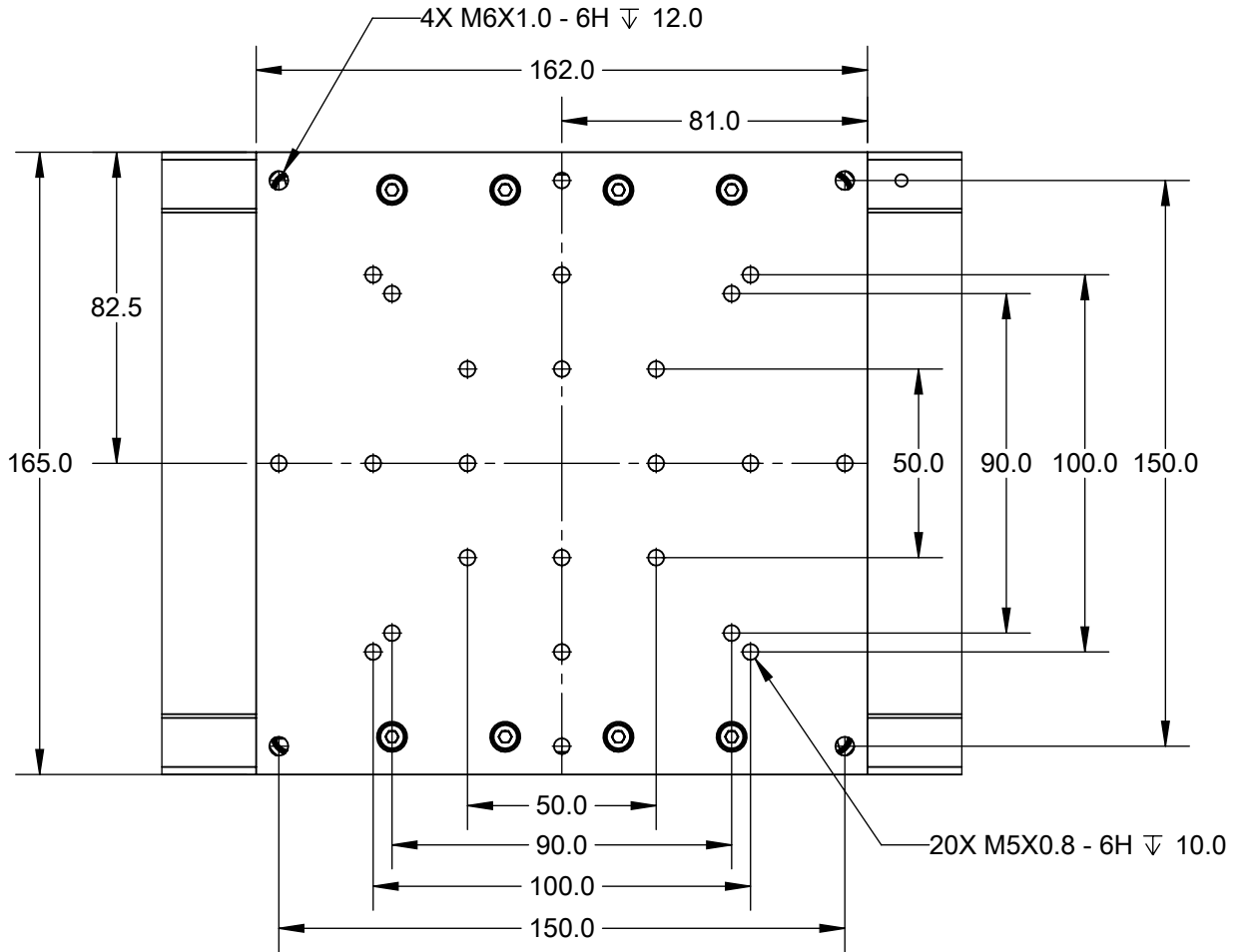
**Part Number Description**

LM3	LM3 Series
150	150mm Travel
BS	Ball Screw Drive
A	Brushless Servo Motor
H	0.125µm Rotary
S	Standard Precision
F	Side Seals
00	Standard Product (Call for custom)

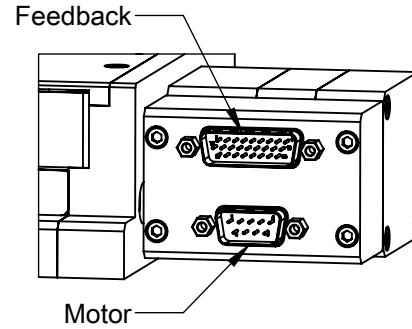
**LM3-150-BS-A-H-S-F-00**

**Mechanical Specifications**





Feedback Connector (DSUB26HD MALE)	
PIN	NAME
1	+5V
2	A+
3	B+
4	RI+
5	LIM+
6	*
7	*
8	*
9	*
10	*
11	A-
12	B-
13	RI-
14	LIM-
15	*
16	*
17	*
18	*
19	GND
20	HALL A
21	HALL B
22	HALL C
23	HOME
24	*
25	*
26	*
* Reserved	



Motor Connector (DSUB9 MALE)	
PIN	NAME
1	*
2	*
3	*
4	*
5	*
6	PHASE A
7	PHASE B
8	PHASE C
9	*
* Reserved	



**LM3-150-BS-A-H-S-F-00**

**Electrical Specifications**

Motor Specifications	
Motor Type	3 $\Phi$ Brushless DC
BEMF Constant (V/KRPM)	1.88
Electrical Time Constant (ms)	0.38
Max Bus Voltage (VDC)	24
Max Continuous Current (A)	3.0
Motor Force Constant (N/A)	50.8
Peak Current (A)	10.0
Pin to Pin Inductance (mH)	0.55
Pin to Pin Resistance (ohm)	1.51
Poles per Revolution	6

Feedback Specifications	
Supply Voltage (V)	5.0 $\pm$ 10%
Supply Current (mA)	250
Encoder Feedback	Yes
Encoder Type	Incremental
Encoder Output	Square Wave Quadrature, RS-422 compatible, A,B,Z, Differential Pairs
Encoder Resolution	8000 cts/mm
Hall Switch Output	Open-Collector, No Pullup Resistor
Hall Switch max current (mA)	-20
Limit Switches	Yes
Limit Switch Output Type	CMOS
Limit Switch Output current (mA)	$\pm$ 20.0
Home Switch	Yes
Home Switch Output Type	CMOS
Home Switch Output current (mA)	$\pm$ 20.0

A home switch is provided near center mechanical travel and a limit switch at each end of travel. The encoder will output one index pulse per revolution of the motor. This pulse is highly repeatable and can be used in coordination with the home switch to find an absolute position after power-up.

The limit switches will be pulled low throughout the travel range of the stage. The output will swing high at the end of travel and remain high until the mechanical limit of the stage is reached.