



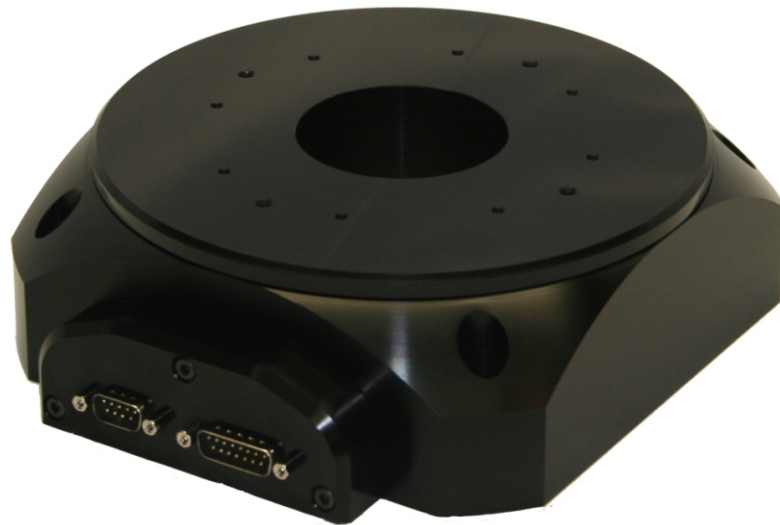
FEATURES

- Compact 63.7mm tall package
- Resolution to .18 arc-sec
- Direct Drive
- Compatible with most three phase brushless motor drives
- Through hole for beam paths and vacuum lines

OPTIONS

- Standard Bearing 10 micron axial and radial run out.
- Precision Bearing 1.5 micron axial and radial run out.
- 5400 Line count glass encoder disk.
- 18,000 Line count glass encoder disk.
- 25X, 50X, and 100x interpolation
- 1Vpp sinusoidal encoder output
- Vacuum preparation to 10⁻⁷ Torr
- Clean room preparation to Class 100

RTS-DD-200 Series Precision Rotary Table



Direct Drive Rotary Table

The Griffin Motion RTS-DD Series Rotary tables are compact, direct drive, precision positioning tables designed for the increasing demands of the semiconductor industry. The brushless direct drive technology eliminates backlash and improves reliability by eliminating sliding friction throughout the stage. The compact stage profile helps to minimize abbe error when used in conjunction with other motion axis. The 65mm through bore allows convenient routing of vacuum or high voltage lines for a range of wafer chucks.

Positioning resolution can be selected to meet the needs of the final application.

Resolutions up to 0.18 arc sec are available for fine wafer alignment applications. Lower resolutions are available for high speed. Low out-gassing components, low vapor pressure lubricants and other preparations are available for vacuum applications down to 10⁻⁷ Torr.

This stage has a 3 phase brushless motor with three hall-effect sensors for motor phasing and commutation. This allows it to interface with a large range of standard motion controllers including the Griffin Motion MCA series of controllers.

Model	RTS-DD-200
Drive	Direct Drive Brushless Servo
Travel	360° Continuous
Resolution (arcsec)	2.4 to .18
Accuracy Full Travel(arc sec)	30.0
Error mapped	5.0
Repeatability(arc sec)	2.4 to .36
Max Velocity (rev/s)	10.0
Continuous Torque (in/lbs)	30.00
Max Torque (in/lbs)	171.60
Load Capacity (Kg)	50.0



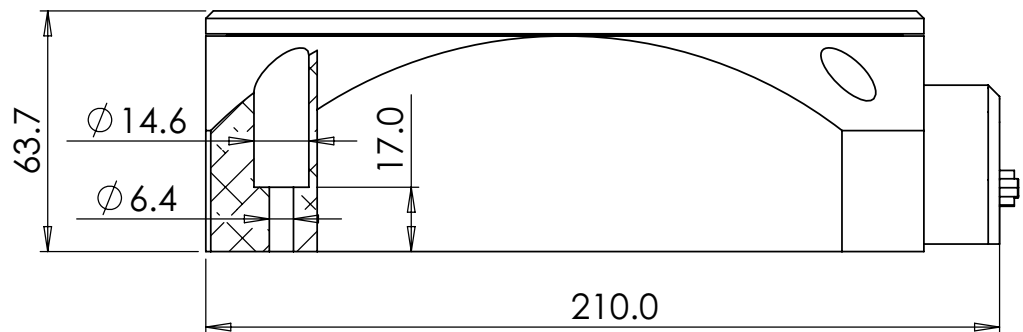
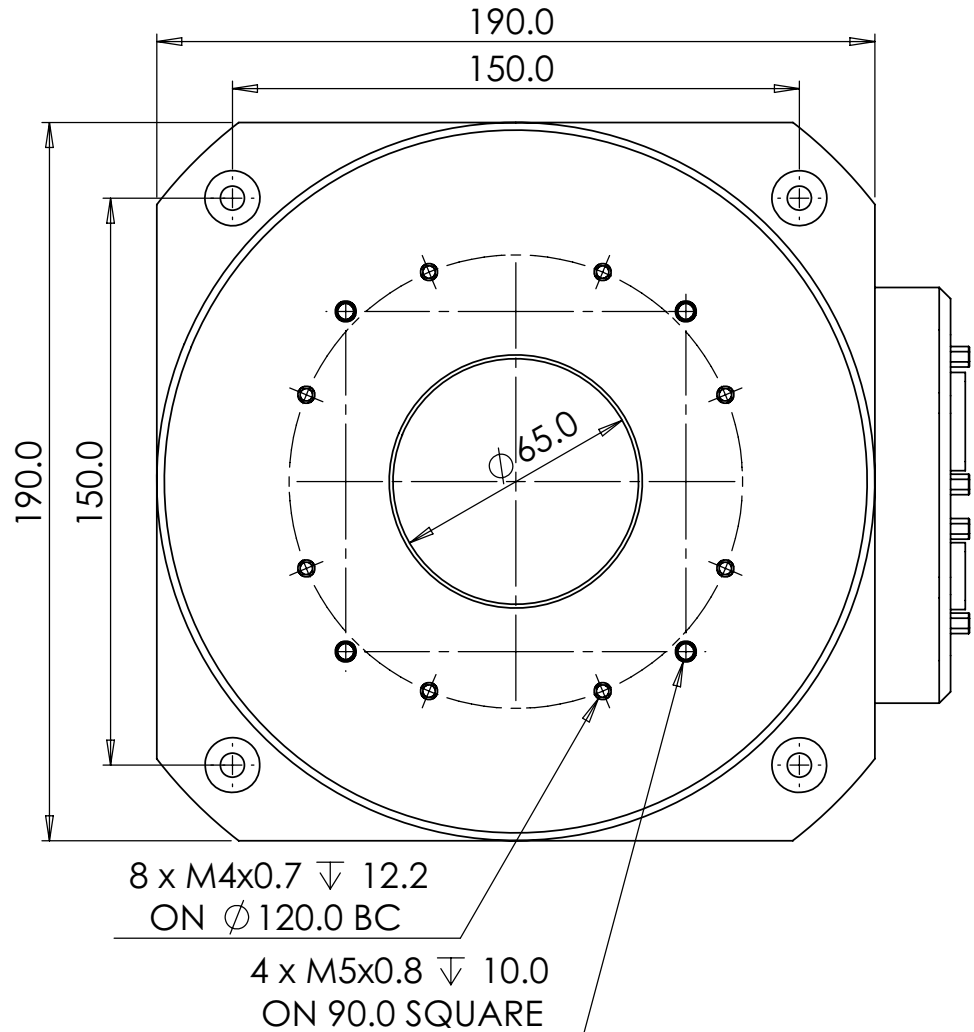
RTS-DD-200 Series Precision Rotary Table

Dimensions are in mm
Additional envelope dimensions available
upon request.

Model #21100 Shown. Final envelope
depends on stage configuration.

FEATURES

- 65 mm through hole
- Custom threaded mounting holes available
- DB 9 for motor and DB 15 connector for encoder



GRIFFIN MOTION, LLC | PO BOX 1298 | HOLLY SPRINGS, NC 27540
P: 866.906.2709 | F: 919.882.1430 | E: sales@griffinmotion.com
www.griffinmotion.com