



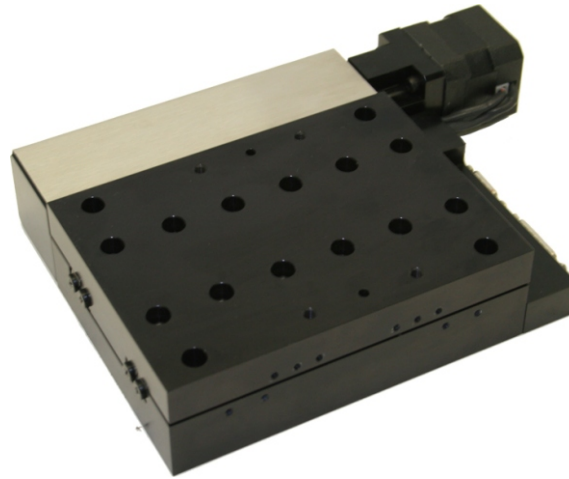
# LNS-BS-50 Series Precision Motion Platform

## FEATURES

- Velocities up to 75mm/sec
- 3µm accuracy
- Linear encoder to .025µm resolution
- Anti-creep crossed roller bearings
- Stackable design for XY configuration

## OPTIONS

- Stepper Motor  
Max step resolution <.1 micron
- Servo Motor
- Linear or Rotary encoder
- Steel or glass encoder scale
- Quadrature or sinusoidal encoder output
- Brake
- Vacuum Preparation to 10<sup>-7</sup> Torr
- Clean room preparation to Class 100



## Linear Crossed Roller Bearing Ballscrew Actuated Table

The **LNS-BS Series** crossed roller bearing stages are designed to meet ‘head-on’ the demands of factory automation and semiconductor processing applications. These compact ball screw driven stages combine high speed and high accuracy in a cost effective package for a variety of applications.

The **LNS-BS Series** stages can be stacked to create X, Y and Z motion. These stages are also available in a

vacuum compatible configuration.

The open loop configuration achieves sub micron repeatability and accuracy better than 8µm in a 100mm travel stage. With the addition of an optional linear encoder, repeatability of 0.3µm and accuracy of 3µm is guaranteed. A repeatable reference index for homing and integrated limit switches, for independent right and left end of travel limits, are included with the linear encoder option.

Model	LNS-BS-50
Travel	50mm
Drive	Ball Screw
Encoder resolution	0.025µm - 1.0µm
Accuracy Full Travel(µm)	
Open Loop	8.0
Encoder	3.0
Error mapped	0.5
Repeatability(µm)	
Open Loop	0.6
Encoder (0.1µm resolution)	0.3
Straightness(µm)	2.0
Flatness(µm)	3.0
Pitch(arc-sec)	4.0
Yaw(arc-sec)	3.0
Max Velocity(mm/s)	75.0
Ballscrew Lead (mm)	2
Load Capacity (Kg)	30



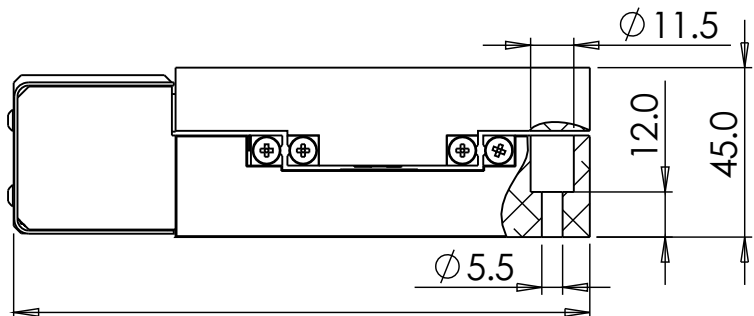
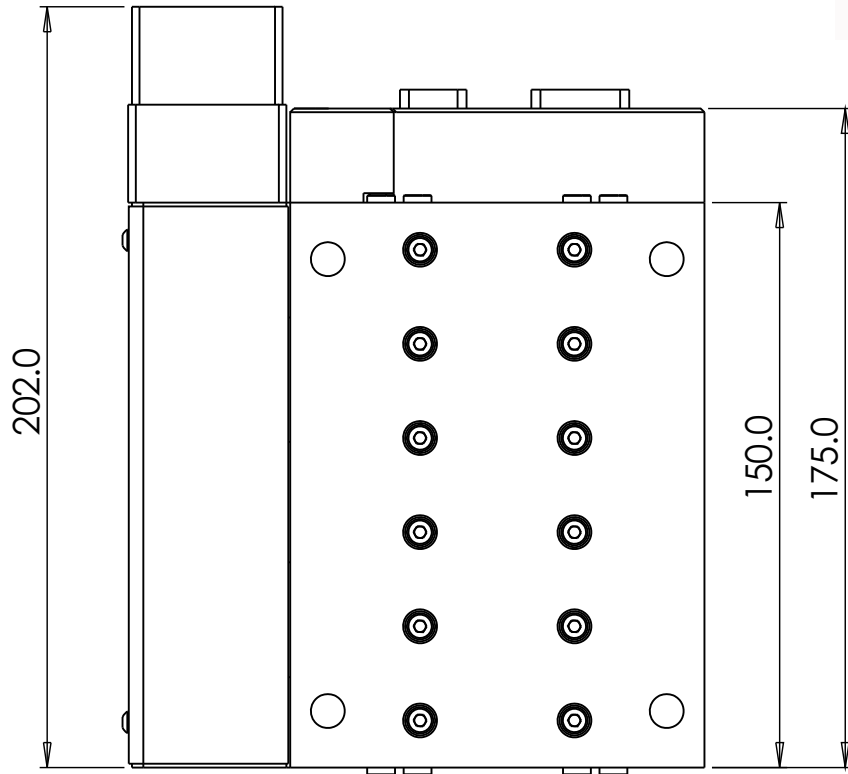
# LNS-BS-50 Series Precision Motion Platform

Dimensions are in mm  
Additional envelope dimensions are  
available upon request.

Model #10511 Shown. Final envelope  
depends on stage configuration.

## FEATURES

- Four counter bored mounting holes accessible through stage
- Custom threaded mounting holes available
- Stage mounting holes CB for M5 on 90mm square
- Access holes shown



GRIFFIN MOTION, LLC | PO BOX 1298 | HOLLY SPRINGS, NC 27540  
P: 866.906.2709 | F: 919.882.1430 | E: sales@griffinmotion.com  
[www.griffinmotion.com](http://www.griffinmotion.com)