



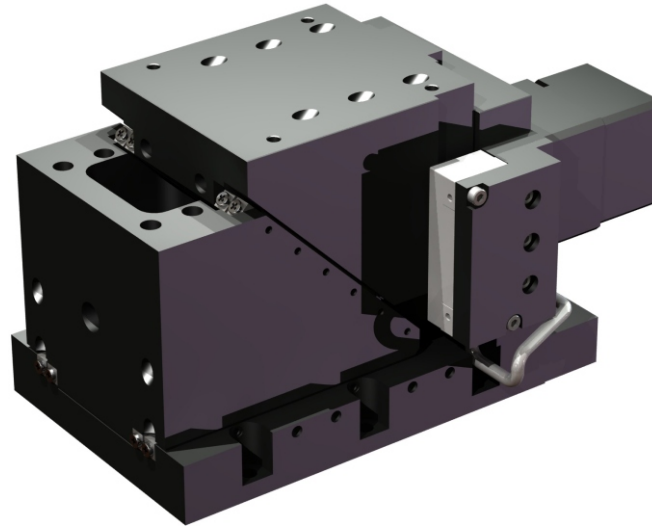
ELV-BS-40 Series Precision Motion Platform

FEATURES

- Velocities up to 50mm/sec
- High rigidity
- Precision ground ball screw
- Linear encoder to .025µm resolution
- Safe for inverted use

OPTIONS

- Stepper Motor
Max step resolution <.1 micron
- Servo Motor
- Linear or Rotary encoder
- Optional error mapping for increased accuracy
- Hand Wheel
- Quadrature or sinusoidal encoder output
- Vacuum Preparation to 10⁻⁷ Torr
- Counter balance to prevent dropping.
- Clean room preparation to Class 100



Linear Crossed Roller Bearing Ball Screw Actuated Elevator

The ELV-BS Series compact crossed roller bearing stages are designed to meet the increasing demands of semiconductor, imaging, and biomedical equipment manufacturers. These reliable ball screw driven stages combine high speed and high accuracy in a cost effective and compact package for a variety of applications. They are safe for upright or inverted use and can be configured with custom payload mounting holes.

Both stepper and brushless servo motor configurations are available to interface with a wide variety of controllers. Optional linear or rotary encoders can be added for servo operation or step loss detection when using stepper motors. A repeatable reference index for homing and integrated limit switches, for independent top and bottom of travel limits, are included with the linear encoder option.

Model	ELV-BS-40
Travel	40mm
Drive	Ballscrew
Encoder resolution	0.025µm - 1.0µm
Accuracy Full Travel(µm)	
Open Loop	15.0
Encoder	3.0
Repeatability(µm)	
Open Loop	1.0
Encoder (0.1µm resolution)	0.3
Straightness(µm)	5.0
Flatness(µm)	5.0
Pitch(arc-sec)	25.0
Yaw(arc-sec)	15.0
Max Velocity(mm/s)	50.0
Ballscrew Lead (mm)	2
Stepper Motor Resolution	400 step/rev
Load Capacity (Kg)	10



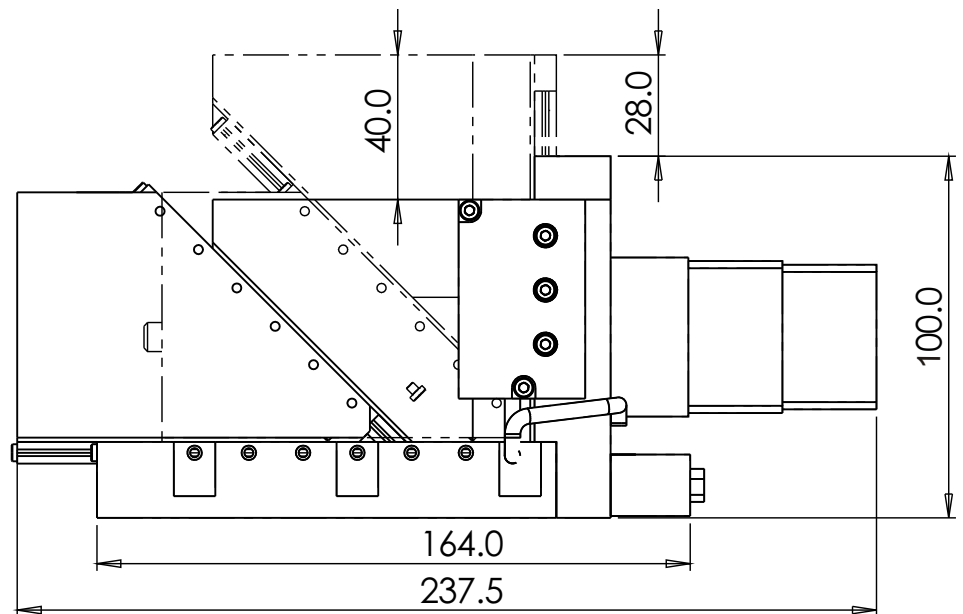
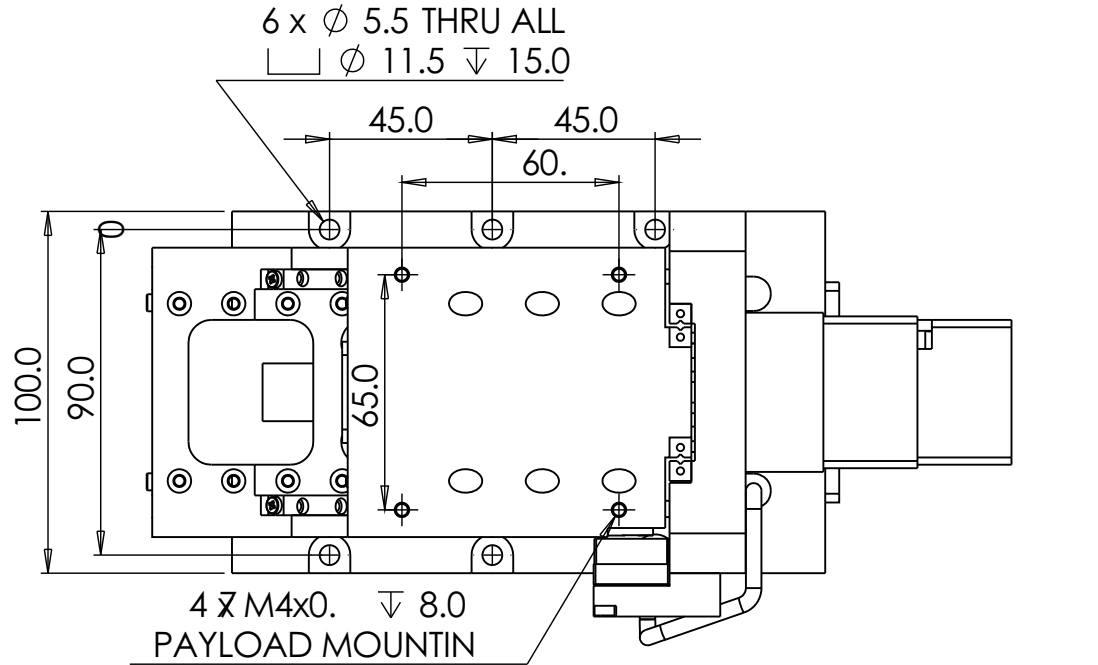
ELV-BS-40 Series Precision Motion Platform

Dimensions are in mm
Additional envelope dimensions are available upon request.

Model #20710 Shown. Final envelope depends on stage configuration.

FEATURES

- Custom payload holes available
- Payload mounting holes shown
- DB 9 for motor and DB 15 connector for encoder
- Mounts on CXY or LNS products



GRIFFIN MOTION, LLC | PO BOX 1298 | HOLLY SPRINGS, NC 27540
P: 866.906.2709 | F: 919.882.1430 | E: sales@griffinmotion.com
www.griffinmotion.com